


# Vertex Standard

## Vehicular Charger Mounting Adapter VCM-5

The **VCM-5** is a Mobile Mounting Bracket designed to match the **CD-58** Desktop Charger. The **VCM-5** includes the **E-DC-32** Cigarette Lighter Adapter.

 Please carefully select the mounting location to prevent potential passenger injuries.

### PACKING LIST

- Bracket "VCM-5" for installing of the **CD-58** Desktop Charger: 1 pc
- Bracket "B" for mounting in the vehicle: 1 pc
- Cloth Band Assy for fixing the transceiver (it has been included the Adjusters): 1 pc
- Screw Kit for mounting the Bracket "VCM-5" to the Bracket "B" (Screws, Toothed Washers, & Plain Washers): 2 pcs for each
- Hexagon Wrench: 1 pc
- Cigarette Lighter Adapter "E-DC-32": 1 pc

### INSTALLATION

Before installing the **VCM-5**, please confirm all parts from the Packing List are present.

1. Using the Bracket "B" as a template, lay out the positions for the mounting holes for the bracket, being careful to provide sufficient clearance for the **VCM-5**. (Because each mounting situation is different, mounting hardware is not supplied with this kit); drill holes compatible with the mounting hardware you have selected. For best results, Vertex Standard recommends hardware of #8 (M4) screw.
2. Secure the Bracket "B" with your selected four screws and washers (Figure 1).
3. Install the Cloth Band and Adjuster "B" (Flat Shape) to the Bracket "VCM-5" (Figure 2).
4. Insert the front section of the **CD-58** Desktop Charger into the Bracket "VCM-5" until it locks in place with a "click" (Figure 3). Confirm that the small protrusions of the Bracket "VCM-5" is fixed correctly into the holes which are located on the bottom of the **CD-58**. The **CD-58** must not incline and/or rotate (Figure 4).
5. Mount the Bracket "VCM-5" to the Bracket "B" with the supplied Screws and Washers using the supplied Hexagon Wrench (Figure 5).
  - The angle of the Charger Stand may be adjusted to a convenient and accessible position.
  - You may secure the Charger Stand to the vehicle directly with the Bracket "B" (Figure 6 of the back page).

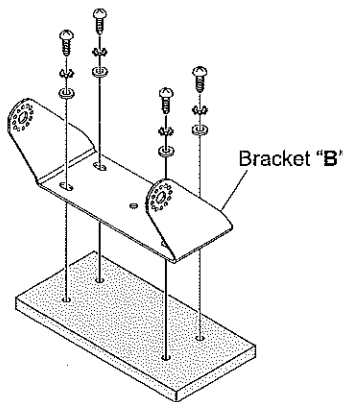


FIGURE 1

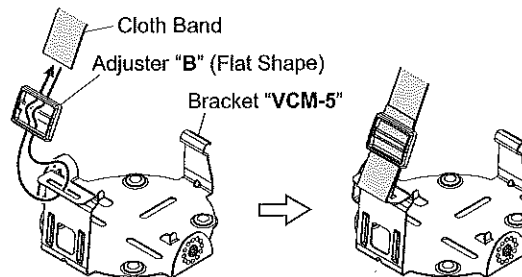


FIGURE 2

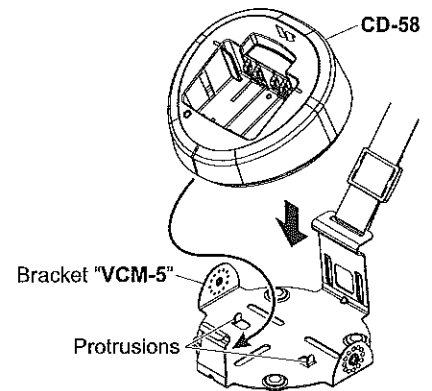


FIGURE 3

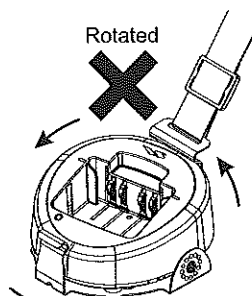
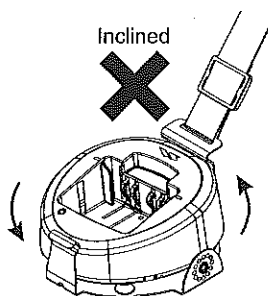


FIGURE 4

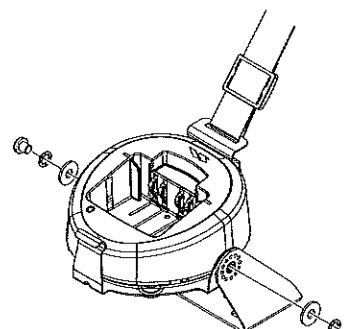


FIGURE 5